

IQ

Model:EC-18

Airflow:18000m²/H
Inverter Control(16 speed)



www.iqairconditioners.co.za

IQ

Model:EC-18

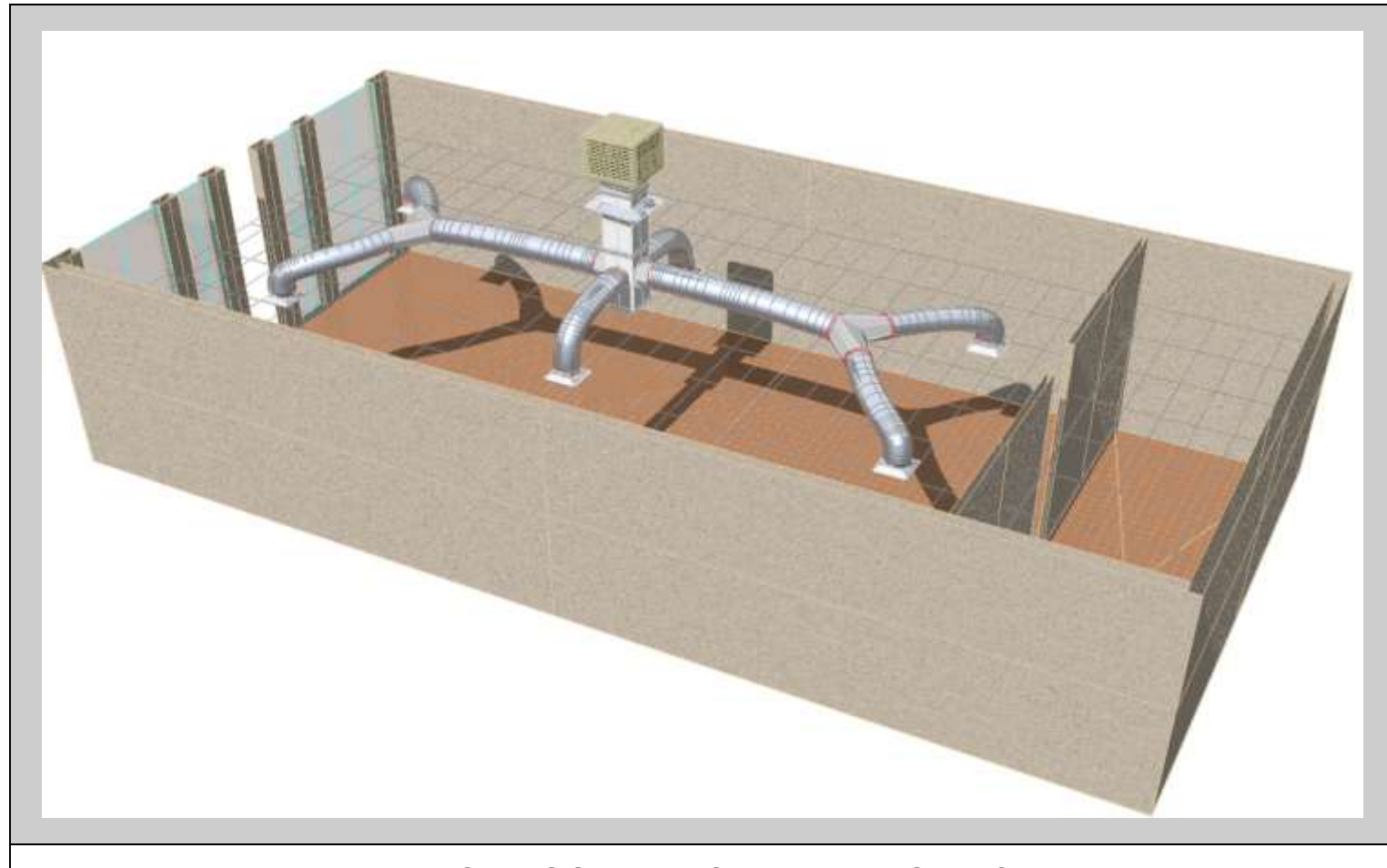


Specification

Model	EC-18
Airflow(M ³ /H)	18000
Pressure(Pa)	180
Power(W)	1100
Fan type	Axial
Fan speed	16(Inverter)
Noise(dBA)	≤72
Cover area(m ²)	100-150
Water tank(L)	30
Water consumption(L/H)	15-20
Power resource(V/HZ)	220-240/50
Control type	LCD+Remote
Weight(KG)	80
Dimension(mm)	1050*1050*920
Water Inlet	Auto
Pump protection	Yes

www.iqairconditioners.co.za

IQ



TYPICAL COMMERCIAL APPLICATION

IQ



Variable Speed Controller
60 x 138 mm

Dropper Duct Adaptor
630x630 - 580x580

Mezz Flange
Connection

Surround 4-piece
Flashing kit

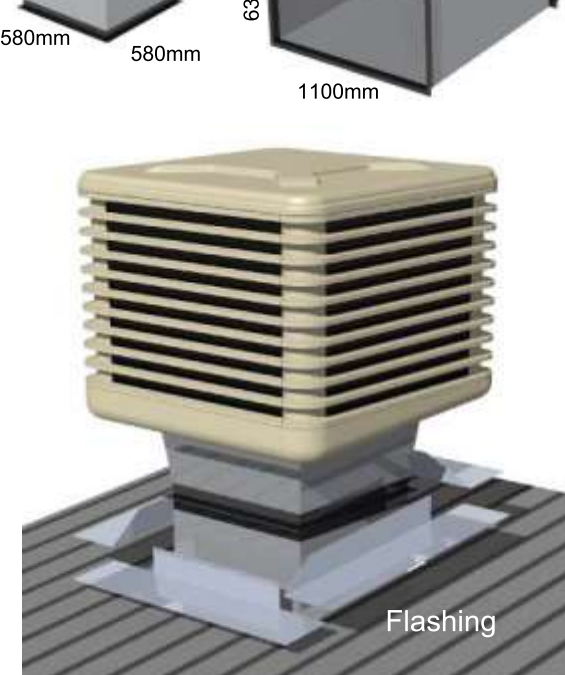
580mm

580mm

Side Discharge
Transformation
630x630 - 1100x630

630mm

1100mm

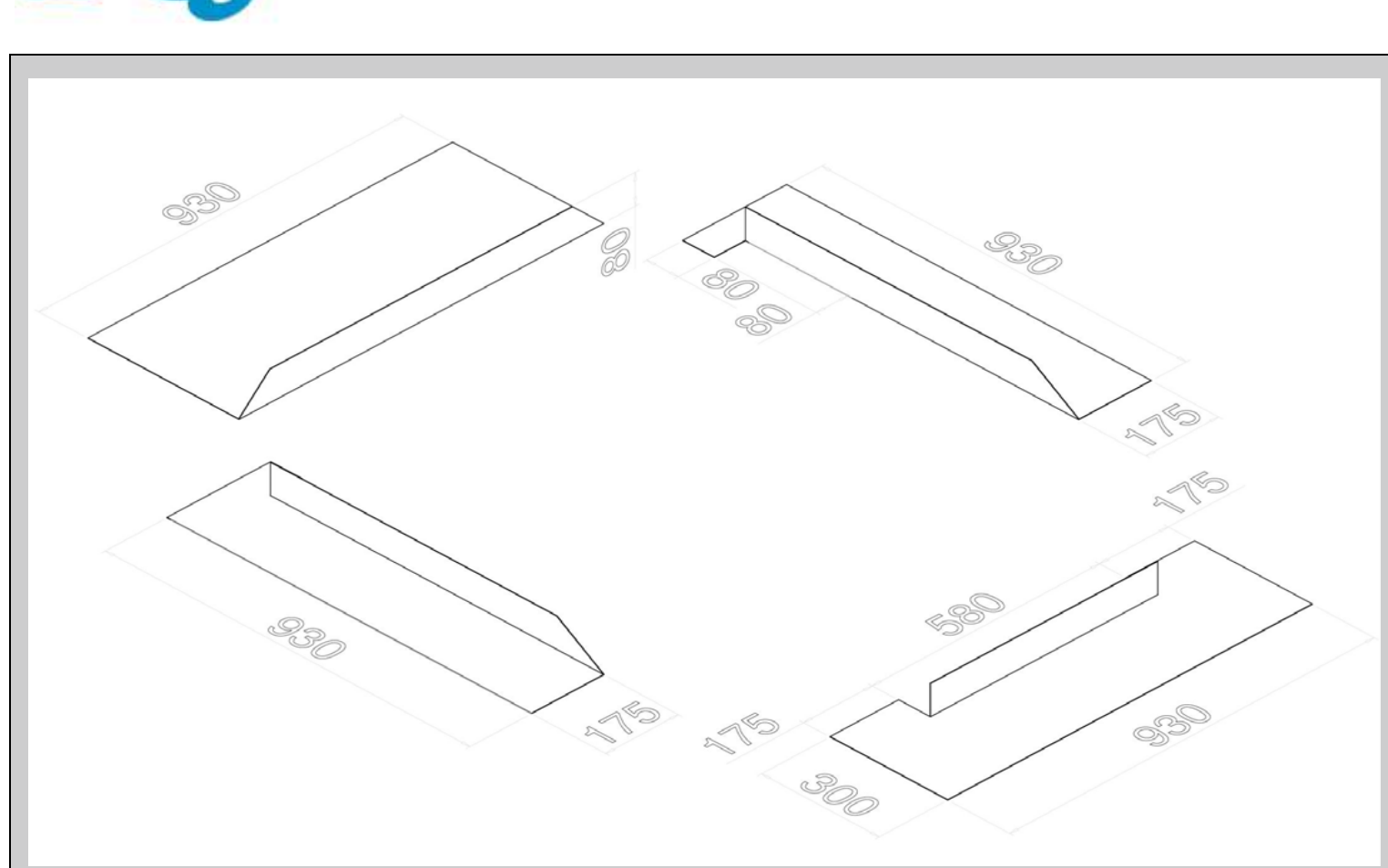


Flashing

Specifications	EC C - 18
Air flow (m ³ /h)	18000
Air pressure (Pa)	190
Motor (Watts)	1100
Voltage (V/Hz)	220-240 / 50
Full Load - Amps	5.6
Fan Type	Axial
Fan Diameter	585mm
Motor Type	Variable - 1 Phase
Water consumption (L/H)	25
Noise (dBA)	76
Dimension (LxWxH)	1050 x 1050 x 920mm
Dropper duct dimensions	630 x 630
Net Weight (Kg)	84
Operating Weight (Kg)	124
Auto clean	N/A
Water shortage protection	N/A
Air discharge (LxW)	Down 630 x 630
Control Type	I

EC C - 18
18000
190
1100
220-240 / 50
5.6
Axial
585mm
Variable - 1 Phase
25
76
1050 x 1050 x 920mm
630 x 630
84
124
N/A
N/A
Down 630 x 630
Variable speed wall Control

IQ



IQ

